

ELECTRONIC VISIONS, INC.**EVI-3192****EVI-3192**

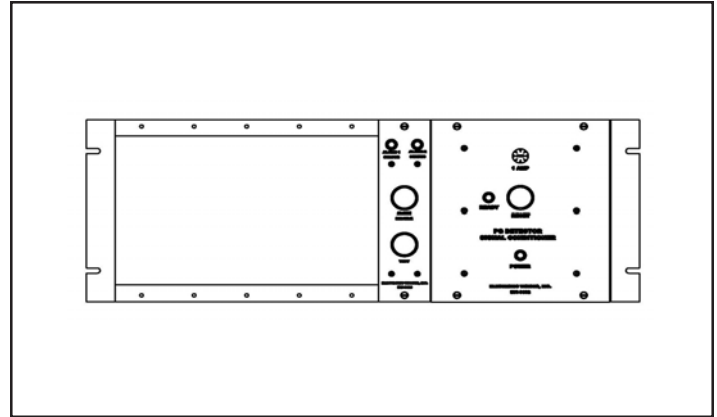
EVI-3192 is an Electronic Visions, Inc. product that replaces the 200VDC Datacom signal conditioner power supply module in the signal conditioner rack. The EVI-3192 200VDC power supply is manufactured as a complete replacement of the Datacom power supply with all new components to improve the reliability of the Datacom signal conditioner units.

FEATURES

- » 200VDC single supply output
- » 0.500 amps @ 200VDC
- » Short circuit fold-back current limiting with automatic recovery after short circuit condition is removed
- » Fits into the existing Datacom Signal Conditioner card rack

SPECIFICATION

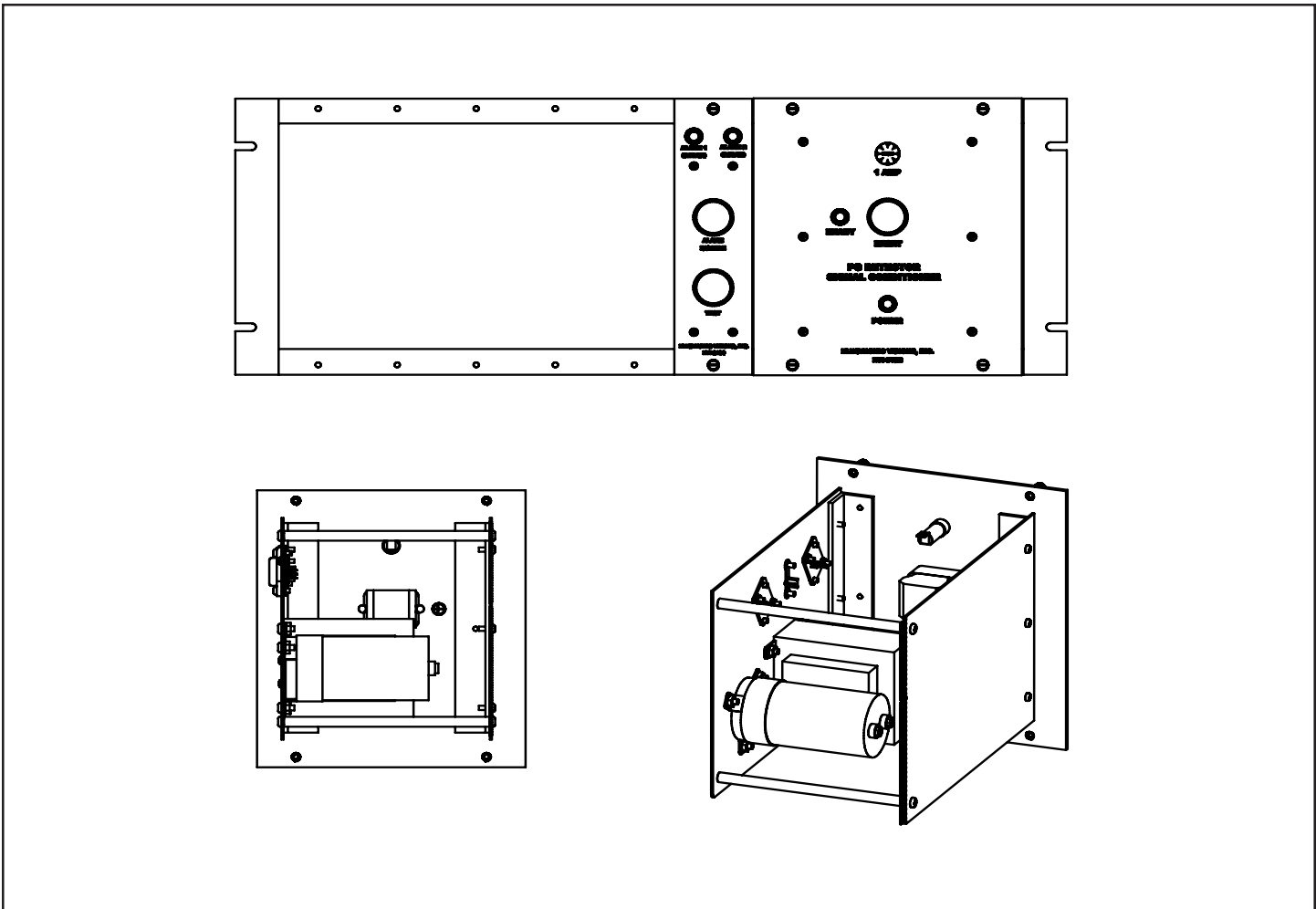
- » Input Voltage: 105-125 VAC, 60Hz
- » Output Voltage: 200VDC, ± 5.0 VDC
- » Output Current: ≥ 0.500 amps @ 200VDC
- » Protection: Short Circuit fold-back
- » Regulation:
 - $\leq 0.5\%$ line change of 105 to 125VAC
 - $\leq 3.0\%$ load change of 5 to 100%



Datacom signal conditioner rack with EVI-3192

SPECIFICATION

- » Ripple: $\leq 0.025\%$ of rated output voltage
- » Op Temp: 40-150 °F
- » Frontal Dimensions: 7 $\frac{3}{4}$ " X 8 $\frac{23}{32}$ "
- » RESET pushbutton
- » 1A slo-blo protection fuse
- » AC POWER on light
- » 200VDC available READY light
- » Plug compatible for modular insertion
- » Relative Humidity: 20% to 90%



EVI-3192 200VDC Power supply

Electronic Visions, Inc's products are of the highest quality and designed with the customers needs in mind. All products are delivered with a one year, return to factory warranty.

If you would like more information on this or any of the other products offered by Electronic Visions, Inc. please contact us at any of our offices listed.

Electronic Visions, Inc.
1555 Magnolia St NE
Palm Bay, FL 32905
Voice : (321)632-7530
www.E-Visions.com

EVI-3192 is a trademark of Electronic Visions, Inc.